

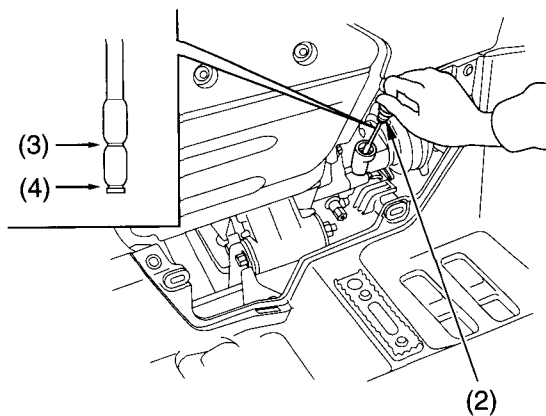
Engine Oil & Filter

4. Remove the oil filler cap/dipstick (2) from the rear crankcase and wipe it clean.
5. Insert the oil filler cap/dipstick without screwing it in, then remove the oil filler cap/dipstick and check the oil level. The oil level should be between the upper level mark (3) and the lower level mark (4) on the oil filler cap/dipstick.
6. If required, add the specified oil into the filler cap hole, up to the upper level mark on the oil filler cap/dipstick. Do not overfill.
7. Reinstall the oil filler cap/dipstick.
8. Install the left engine sub cover.

NOTICE

Running the engine with an improper oil level can cause serious engine damage.

LEFT SIDE



(2) oil filler cap/dipstick

(3) upper level mark

(4) lower level mark