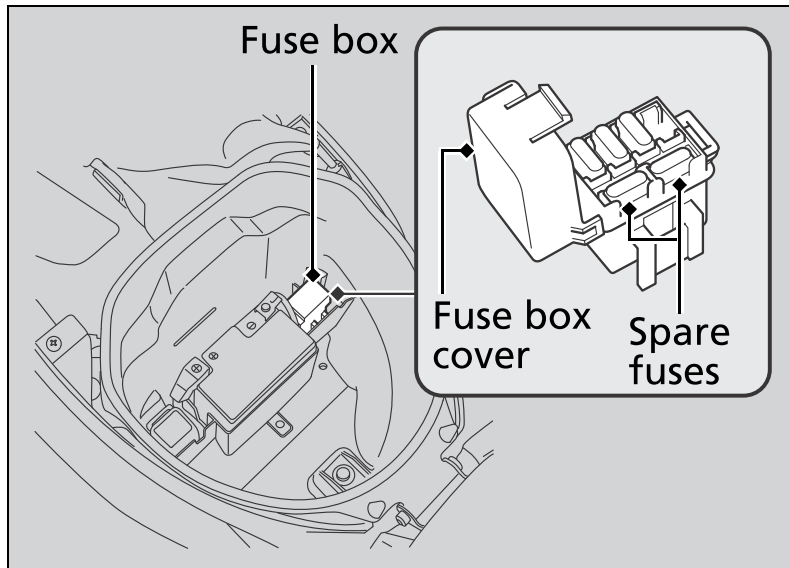


## Blown Fuse

Before handling fuses, see “Inspecting and Replacing Fuses.” ► P. 43

### ■ Fuse Box Fuses



1. Open the seat. ► P. 33
2. Remove the battery cover. ► P. 57
3. Open the fuse box cover.
4. Pull the main fuse and other fuses out one by one and check for a blown fuse. Always replace a blown fuse with a spare of the same rating.
5. Close the fuse box cover.
6. Install the battery cover.
7. Close the seat.