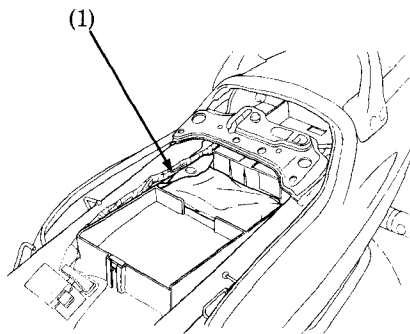


TOOL KIT

The tool kit (1) is in the tool box under the seat.

Some roadside repairs, minor adjustments and parts replacement can be performed with the tools contained in the kit.

- 10 x 12 mm open end wrench
- 14 x 17 mm open end wrench
- 8 mm open end wrench
- 12 mm box end wrench
- 24 mm box end wrench
- Spark plug wrench
- No.2 Phillips screwdriver
- No.2 screwdriver
- Screwdriver grip
- Pin spanner
- Feeler gauge
- Fuse puller
- Tool bag



(1) Tool kit