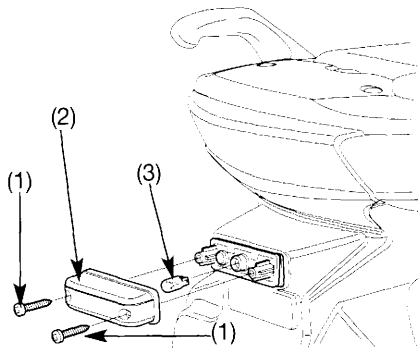


## License Light Bulb

1. Remove the two screws (1).
2. Remove the license light bulb (2).
3. Remove the bulb (3) without turning it.
4. Install a new bulb in the reverse order of removal.



- (1) Screws  
(2) License light bulb  
(3) Bulb

124

## CLEANING

Clean your motorcycle regularly to protect the surface finishes and inspect for damage wear, and oil or brake fluid leakage.

Avoid cleaning products that are not specifically designed for motorcycle or automobile surfaces.

They may contain harsh detergents or chemical solvents that could damage the metal, paint, and plastic on your motorcycle.

If your motorcycle is still warm from recent operation, give the engine and exhaust system time to cool off.

We recommend avoiding the use of high pressure water spray (typical in coin-operated car washes).

### NOTICE

High pressure water (or air) can damage certain parts of the motorcycle.