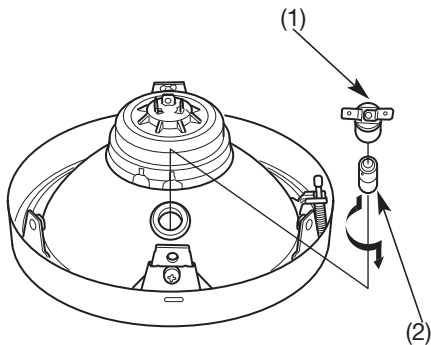


### Position light bulb

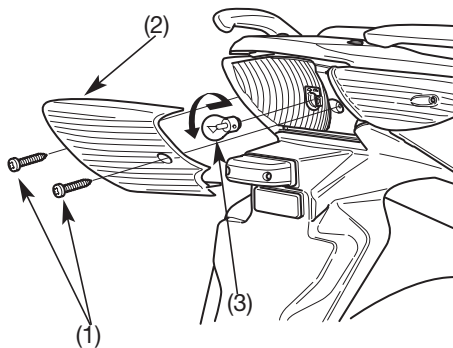
1. Remove the headlight (page 107)
2. Pull out the bulb socket (1).
3. Extract bulb (2).
4. Replace with a new bulb, following the removal procedure in reverse order.



- (1) Bulb socket  
(2) Position light bulb

### Stop Taillight Bulb

1. Remove the two screws (1).
2. Remove taillight lens (2).
3. Remove the bulb (3).
4. Install a new bulb in the reverse order of removal.



- (1) Screws  
(2) Taillight lens  
(3) Bulb