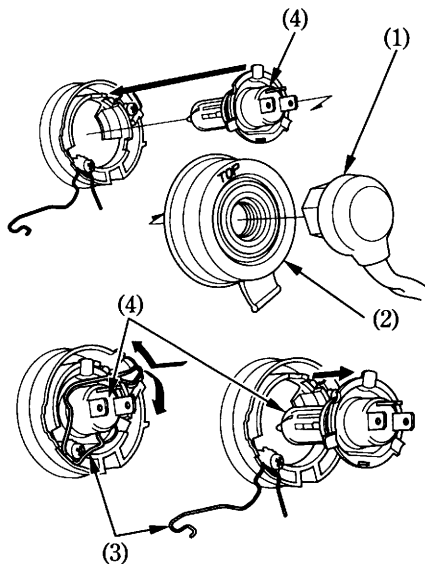


1. Remove the lid (See page 41).
2. Pull off the socket (1) without turning.
3. Remove the seat rubber (2).
4. Unhook the bulb retainer (3) and pull out the headlight bulb (4) without turning.
5. Install a new bulb in the reverse order of removal.

NOTE:

- * Install the dust cover with its "TOP" mark facing up.
- * Do not use bulbs other than that specified.
- * After installing a new bulb, check that the light operates properly.



(1) Socket
(2) Seat rubber

(3) Bulb retainer
(4) Headlight bulb