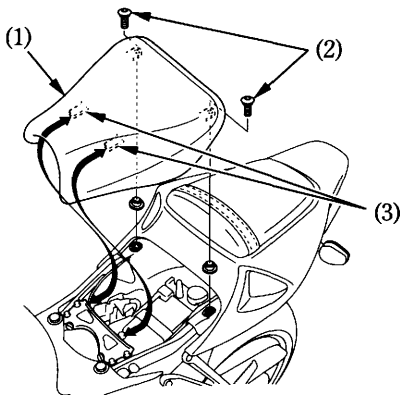


SEAT

Front seat

To remove the front seat (1), pull up the seat end and remove the mounting bolts (2), and then pull the seat back and up.

To install the front seat, insert the tabs (3) into the recess under the frame and tighten the mounting bolts securely.



- (1) Front seat
- (2) Mounting bolts

- (3) Tabs