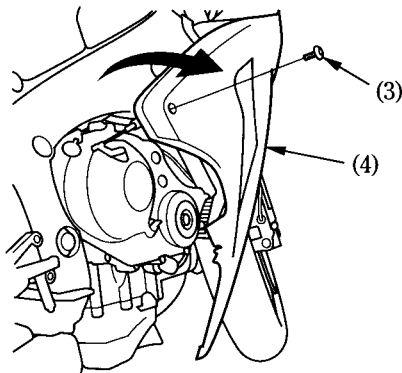
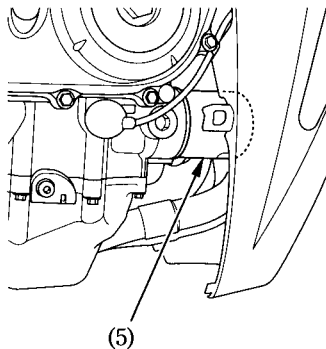


4. Remove the screw (3) on the right middle cowl (4) and pull it outwards.



- (3) Screw
- (4) Middle cowl

5. Remove the oil filter (5) with a filter wrench and let the remaining oil drain out. Discard the oil filter.



- (5) Oil filter