

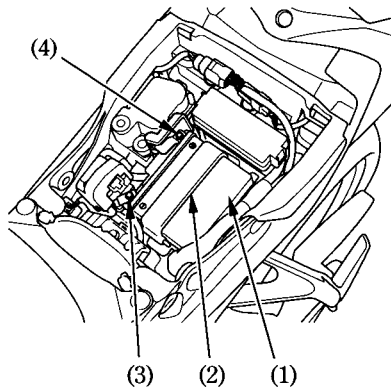
The battery (1) is in the battery box below the front seat.

Removal:

1. Make sure the ignition switch is OFF.
2. Remove the front seat (page 76).
3. Release the rings and remove the rubber band (2).
4. Disconnect the negative (-) terminal lead (3) from the battery first, then disconnect the positive (+) terminal lead (4).
5. Pull out the battery from the battery box.

Installation:

1. Reinstall in the reverse order of removal. Be sure to connect the positive (+) terminal first, then the negative (-) terminal.
2. Check all bolts and other fasteners are secure.



- (1) Battery
- (2) Rubber band
- (3) Negative (-) terminal lead
- (4) Positive (+) terminal lead