



LEFT HANDLEBAR CONTROLS

Headlight Dimmer Switch (1)



Push the dimmer switch to  (HI) to select high beam or to  (LO) to select low beam.

< Except U >

Passing Light Control Switch (2)

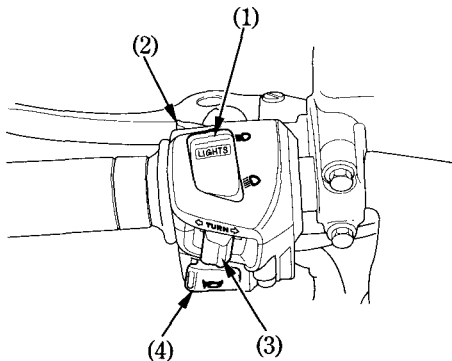
When this switch is pressed, the headlight flashes on to signal approaching cars or when passing.

Turn Signal Switch (3)

Move to  (L) to signal a left turn,  (R) to signal a right turn. Press to turn signal off.

Horn Button (4)

Press the button to sound the horn.



- (1) Headlight dimmer switch
- (2) Passing light control switch
- (3) Turn signal switch
- (4) Horn button