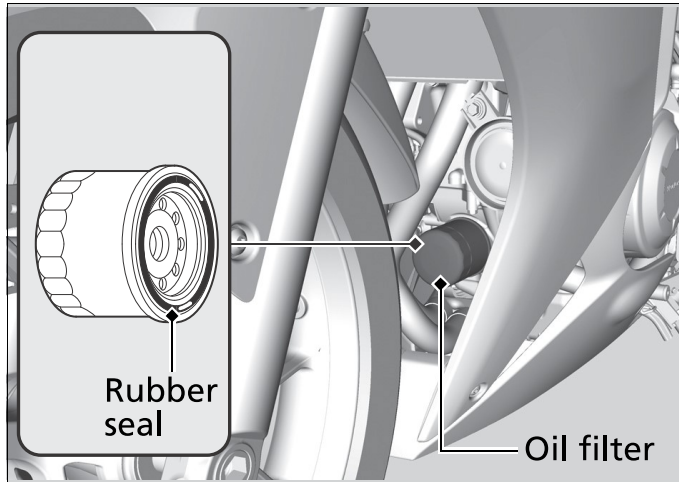


## Engine Oil ► Changing Engine Oil & Filter



Maintenance

7. Apply a thin coat of engine oil to the rubber seal of a new oil filter.
8. Install a new oil filter and tighten.

**Torque:** 26 N·m (2.7 kgf·m, 19 lbf·ft).

9. Install a new sealing washer onto the drain bolt. Tighten the drain bolt.

**Torque:** 30 N·m (3.1 kgf·m, 22 lbf·ft).

10. Fill the crankcase with the recommended oil (► P. 48) and install the oil fill cap.

### Required oil

#### When changing oil & engine oil filter:

2.7 litres (2.9 US qt, 2.4 Imp qt)

#### When changing oil only:

2.5 litres (2.6 US qt, 2.2 Imp qt)

11. Check the oil level. ► P. 61
12. Check that there are no oil leaks.