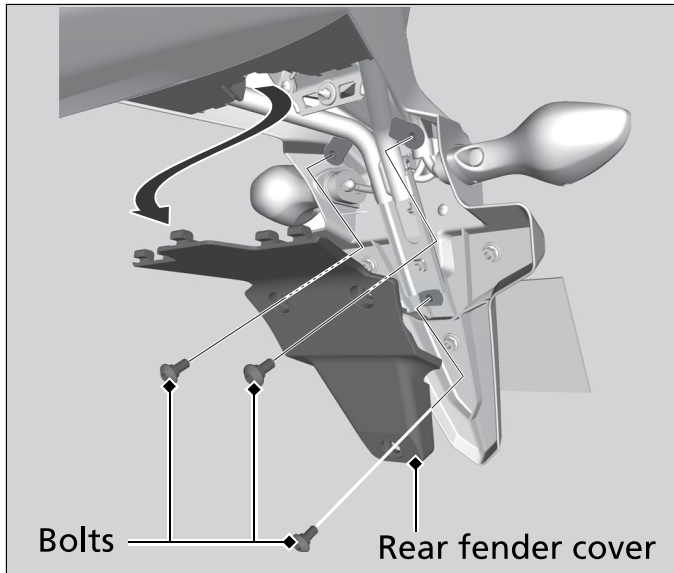
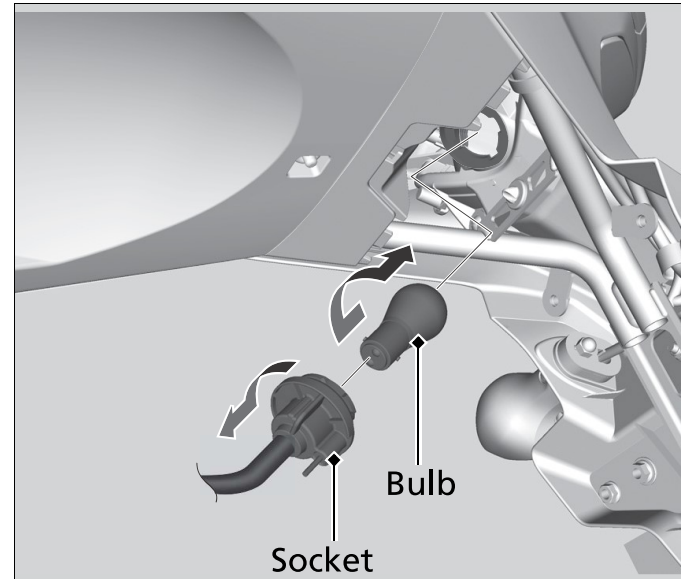


Electrical Trouble ▶ Burned-out Light Bulb

Brake/Tail Light Bulb



1. Remove the bolts and rear fender cover.



2. Turn the socket counterclockwise, and remove it.
3. Slightly press the bulb and turn it counterclockwise.
4. Install a new bulb and parts in the reverse order of removal.

Troubleshooting

continued 97