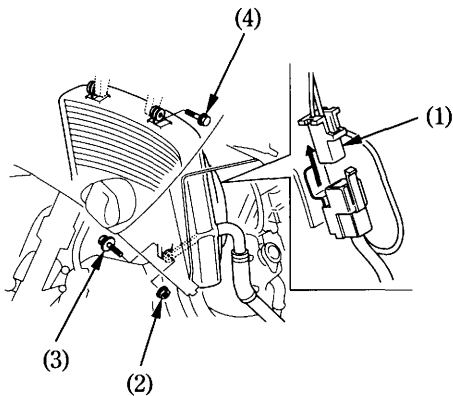


1. Remove the lower cowl (page 68 ).
2. Disconnect the radiator fan connector (1).
3. Remove the lower mount nut (2) and lower mount bolt (3).
4. Remove the upper mount bolt (4).



- (1) Radiator fan connector
- (2) Lower mount nut
- (3) Lower mount bolt
- (4) Upper mount bolt