



Valve Clearance

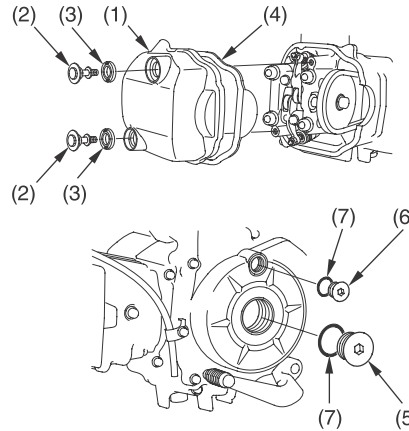
Refer to *Safety Precautions* on page 45 .

Excessive valve clearance will cause noise and eventual engine damage. Little or no clearance will prevent the valve from closing and cause valve damage and power loss. Check valve clearance when the engine is cold at the intervals specified in the Maintenance Schedule.

The checking or adjusting of the clearance should be performed while the engine is cold. The clearance will change as engine temperature rises.

1. Remove the cylinder head cover (1) by removing the bolts (2) and mount rubbers (3).
2. Remove the cylinder head cover gasket (4).
3. Remove the crankshaft hole cap (5), timing hole cap (6) and O-rings (7).

LEFT SIDE



- | | |
|--------------------------------|-------------------------|
| (1) cylinder head cover | (5) crankshaft hole cap |
| (2) bolts | (6) timing hole cap |
| (3) mount rubbers | (7) O-rings |
| (4) cylinder head cover gasket | |

