

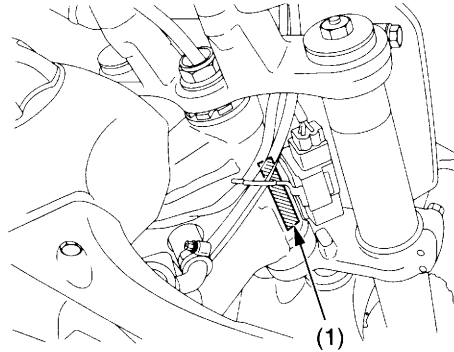
Vehicle Identification

Serial Numbers

The VIN and engine serial number are required when you register your CRF. They may also be required when ordering replacement parts.

The VIN (vehicle identification number) (1) is stamped on the right side of the steering head.

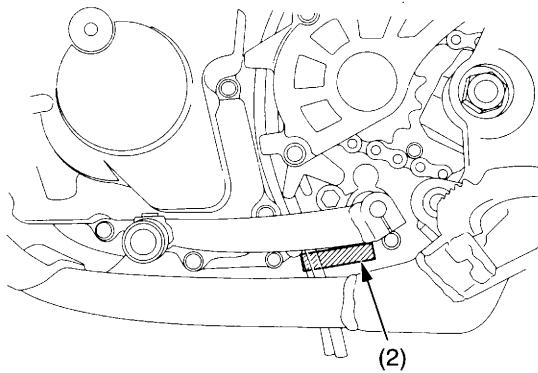
RIGHT SIDE



(1) VIN

The engine number (2) is stamped on the left crankcase.

LEFT SIDE



(2) engine number