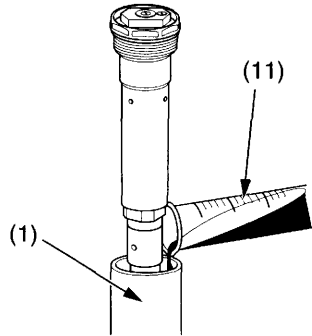


Front Suspension Adjustments

13. Remove the fork damper from the fork.
14. Pour the recommended fork oil (11) into the fork assembly (1).

Recommended Oil:
Honda ULTRA CUSHION OIL SPECIAL 5 W
 or equivalent.

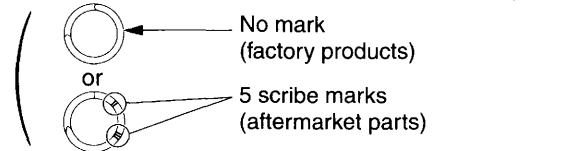


(1) fork assembly

(11) fork oil

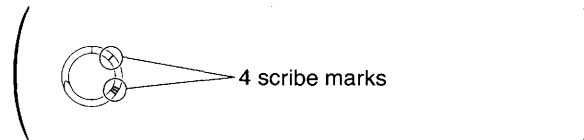
Fork Oil Capacity (ED, U, CM, IICM type):

Standard 0.46 kgf/mm (25.76 lbf/in) Fork Spring



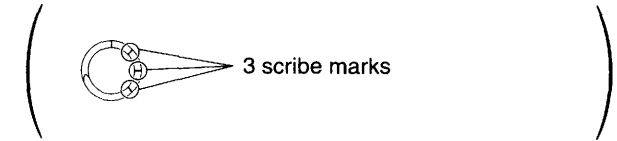
Standard oil capacity	408 cm ³ (13.8 US oz.) (14.4 Imp oz.)	
Maximum oil capacity	416 cm ³ (14.1 US oz.) (14.6 Imp oz.)	Slightly stiffer as it nears full compression.
Minimum oil capacity	320 cm ³ (10.8 US oz.) (11.3 Imp oz.)	Slightly softer as it nears full compression.

Optional Softer 0.44 kgf/mm (24.64 lbf/in) Fork Spring



Standard oil capacity	413 cm ³ (14.0 US oz.) (14.5 Imp oz.)	
Maximum oil capacity	421 cm ³ (14.2 US oz.) (14.8 Imp oz.)	Slightly stiffer as it nears full compression.
Minimum oil capacity	325 cm ³ (11.0 US oz.) (11.4 Imp oz.)	Slightly softer as it nears full compression.

Optional Stiffer 0.48 kgf/mm (26.88 lbf/in) Fork Spring



Standard oil capacity	402 cm ³ (13.6 US oz.) (14.2 Imp oz.)	
Maximum oil capacity	410 cm ³ (13.9 US oz.) (14.4 Imp oz.)	Slightly stiffer as it nears full compression.
Minimum oil capacity	314 cm ³ (10.6 US oz.) (11.1 Imp oz.)	Slightly softer as it nears full compression.

Be sure the oil capacity is the same in both fork legs.

(cont'd)