

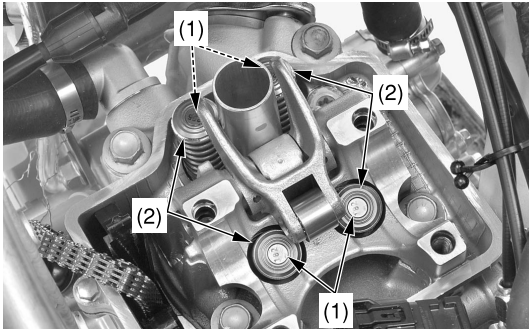
## Valve Clearance

### Camshaft Installation

1. Install the newly selected shims (1) on the valve retainers (2).

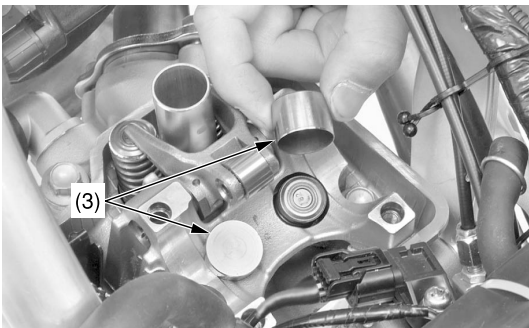
#### NOTICE

*Do not let the shims fall into the crankcase.*



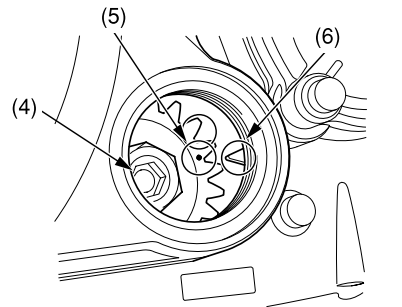
(1) shims (2) valve retainers

2. Apply molybdenum disulfide oil (a mixture of 1/2 engine oil and 1/2 molybdenum disulfide grease containing more than 3% molybdenum disulfide additive) to the outer surface of the each the valve lifters (3).  
Install the valve lifters to the proper position.



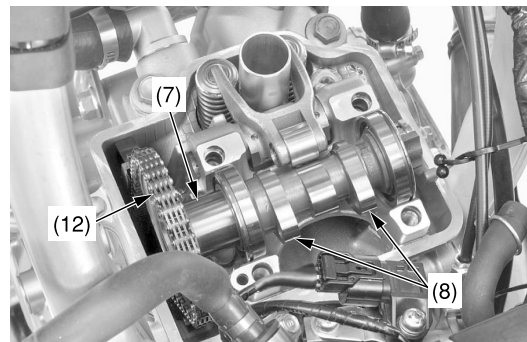
(3) valve lifters

3. Rotate the primary drive gear bolt (4) (crankshaft) clockwise and align the punch mark (5) with the "Δ" mark (6).

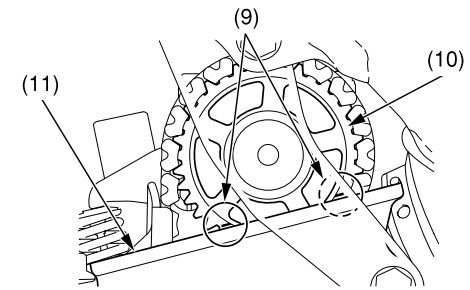


(4) primary drive gear bolt  
(5) punch mark (6) "Δ" mark

4. Apply molybdenum oil solution to the camshaft journals and cam lobes. Place the camshaft (7) with the intake cam lobes (8) facing up and align the timing marks (9) on the cam sprocket (10) with the surface of the cylinder head (11). Install the cam chain (12) over the sprocket without rotating the camshaft.

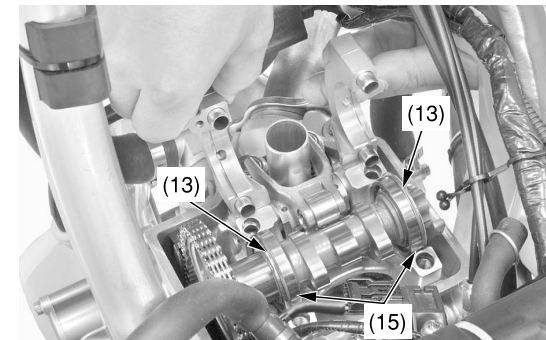


(7) cam shaft (8) intake cam lobes (12) cam chain



(9) timing marks  
(10) cam sprocket  
(11) surface of the cylinder head

5. Apply grease to the set rings (13) and install it onto the camshaft bearing grooves (15).



(13) set rings  
(15) camshaft bearing grooves

(cont'd)