

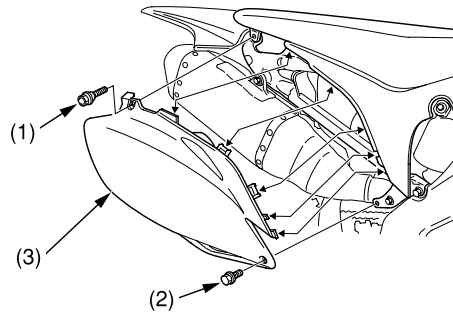
## Exhaust Pipe/Muffler

### Exhaust Pipe/Muffler Inspection

Check the mounting bolts and exhaust pipe joint nuts for tightness.  
Check the exhaust pipe and muffler for cracks or deformation.  
A damaged exhaust pipe and muffler may reduce engine performance.

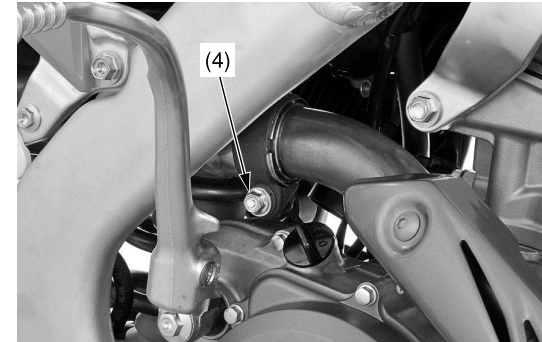
### Muffler Removal

1. Remove the seat mounting bolt (1), side cover bolt (2) and right side cover (3).



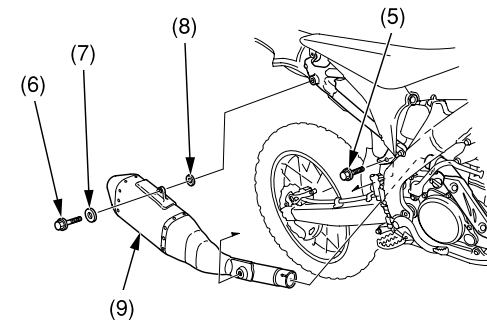
- (1) seat mounting bolt      (3) right side cover  
(2) side cover bolt

2. Loosen the muffler clamp bolt (4).



- (4) muffler clamp bolt

3. Remove the muffler mounting A bolt (5), muffler mounting B bolt (6), washer A (7), washer B (8) and muffler (9).



- (5) muffler mounting A bolt      (8) washer B  
(6) muffler mounting B bolt      (9) muffler  
(7) washer A