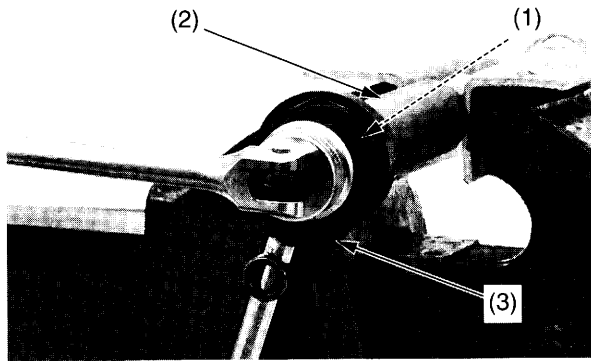


Damper Oil Change

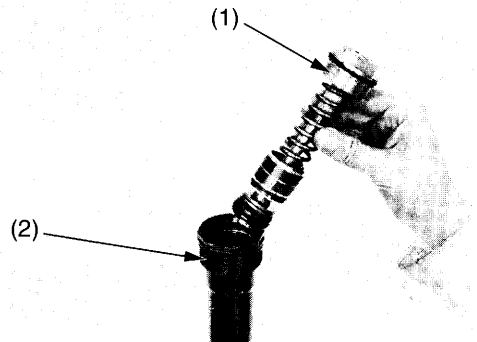
1. Place the fork damper (2) in a vise with a piece of wood or soft jaws to avoid damage.
2. Loosen the fork cap assembly (1) while holding the fork damper (2) using the lock nut wrench (3).



(1) fork cap assembly
(2) fork damper
(3) lock nut wrench

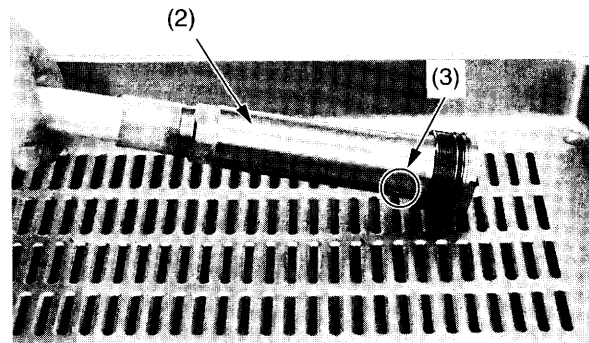
3. Remove the fork cap assembly (1) from the fork damper (2).

Be careful not to damage the fork cap bushing. Do not disassemble the fork cap assembly. Replace the fork cap as an assembly if it is damaged.



(1) fork cap assembly
(2) fork damper

4. Empty the fork oil from the oil hole (3) of the fork damper (2) by pumping the damper rod several times.

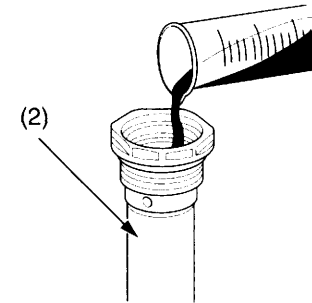


(2) fork damper
(3) oil hole

5. Clean the fork cap and fork damper threads.

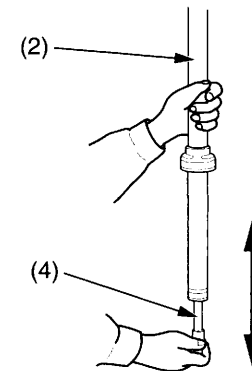
6. Extend the fork damper piston rod to maximum. Pour the recommended fork oil into the fork damper (2).

Recommended Oil:
Pro Honda HP Fork Oil 5 W or equivalent
Recommended Amount:
6.5 US oz (192 cc, 6.8 Imp oz)



(2) fork damper

7. Pump the fork damper piston rod (4) slowly several times to bleed the air from the fork damper (2).



(2) fork damper

(4) fork damper piston rod

(cont'd)