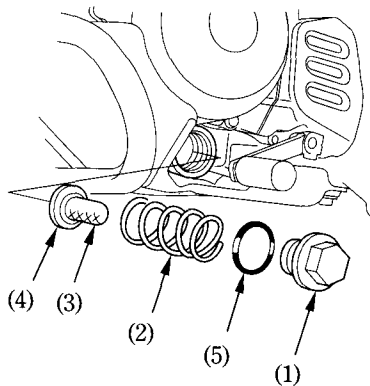


1. Remove the oil filler cap from the right crankcase cover.
2. Place an oil drain pan under the crankcase and remove the oil drain plug (1).

The spring (2) and oil strainer screen (3) will come out when the drain plug is removed.

3. Clean the oil strainer screen.
4. Check that the oil strainer screen, sealing rubber (4) and drain plug O-ring (5) are in good condition.



- |                         |                       |
|-------------------------|-----------------------|
| (1) Drain plug          | (4) Sealing rubber    |
| (2) Spring              | (5) Drain plug O-ring |
| (3) Oil strainer screen |                       |