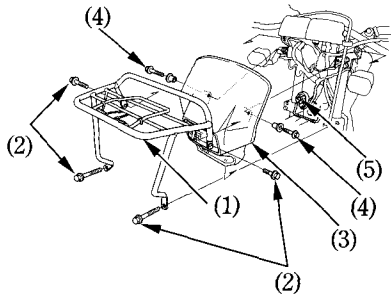


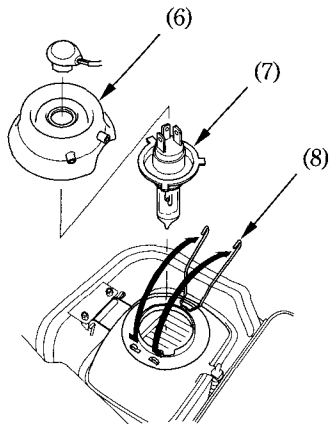
Headlight Bulb

1. Remove the front carrier (1) by removing the bolts (2)
2. Remove the front visor (3) by removing the bolts (4).
3. Disconnect the connector (5).
4. Remove the seat rubber (6).
5. Remove the headlight bulb (7) while pressing down on the pin (8).



- | | |
|-------------------|---------------|
| (1) Front carrier | (4) Bolts |
| (2) Bolts | (5) Connector |
| (3) Front visor | |

6. Install a new bulb in the reverse order of removal.



- | |
|--------------------|
| (6) Seat rubber |
| (7) Headlight bulb |
| (8) Pin |