

Switches *(Continued)*

CTX700D

Parking brake lever and Release button

Be sure the parking brake is applied while parking and warming up the engine.

- ▶ Make sure the parking brake lever is released before riding.

To apply the parking brake lock

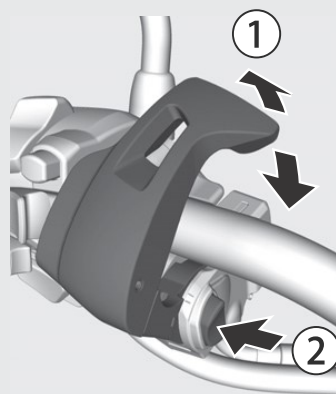
Pull the parking brake lever back to lock the rear wheel.

- ▶ Be sure the release button pops out and parking brake lever is not released.
- ▶ The parking brake lock will not function if the parking brake is not adjusted properly. **➡ P. 80**

To release the parking brake lock

Release the parking brake lever by lightly pulling in the lever (①) and pressing the release button (②).

- ▶ Before riding, check that the parking brake indicator is turned off and make sure that the parking brake is fully released so there is no drag on the rear wheel.






 **Hazard switch** **➡ P. 30**

Shift up switch (+)

To shift up the gear. **➡ P. 41**

Headlight dimmer/ Passing light control switch

-  **D** : High beam
-  **D** : Low beam
-  **PASS** : Flashes the high beam headlight.

Shift down switch (-)

To shift down the gear.

➡ P. 41

Turn signal switch

- ▶ Pressing the switch turns the turn signal off.