

## FUEL

### Fuel Tank

The fuel tank is located under the step board. Fuel tank capacity is:

12.0 ℓ (3.17 US gal , 2.64 Imp gal)

Unlock and open the fuel tank lid (1) with the ignition key.

To open the fuel fill cap (2) insert the ignition key (3) and turn the key clockwise until it stops and rotate the fuel fill cap counterclockwise until it clicks. Lift off the fuel fill cap.

After refueling, be sure to tighten the fuel fill cap firmly by turning it clockwise.

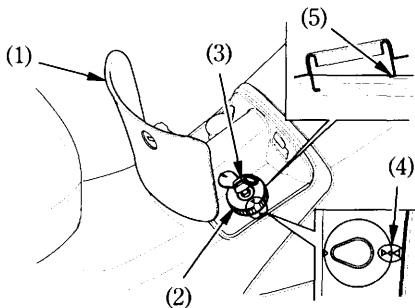
Make sure that the arrow marks (4) on the fuel fill cap and fuel tank is aligned.

Turn the key counterclockwise until it stops and remove the key.

Use unleaded or low-lead petrol with a research octane number of 91 or higher. We recommend that you use unleaded petrol because it produces fewer engine and spark plug deposits and extends the life of exhaust system components.

### CAUTION:

\* If “spark knock” or “pinking” occurs at a steady engine speed under normal load, change brands of petrol. If spark knock or pinking persists, consult your Honda dealer. Failure to do so is considered misuse, and damage caused by misuse is not covered by Honda’s Limited Warranty.



- (1) Fuel tank lid
- (2) Fuel fill cap
- (3) Ignition key

- (4) Arrow marks
- (5) Filler neck