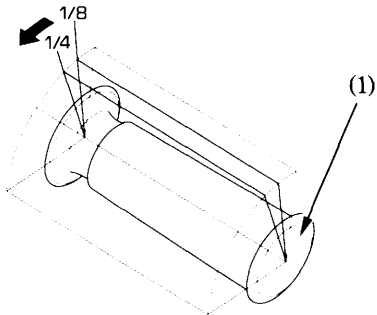


If you cannot restart a warm engine:

1. Place the scooter on its center stand and squeeze the rear brake lever.
2. Open the throttle (1)  $1/8$ – $1/4$  turn while starting the engine.



(1) Throttle

## **RUNNING-IN**

Help assure your scooter's future reliability and performance by paying extra attention to how you ride during the first 500 km (300 miles).

During this period, avoid full-throttle starts and rapid acceleration.