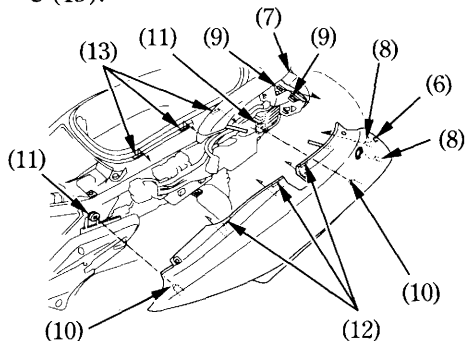
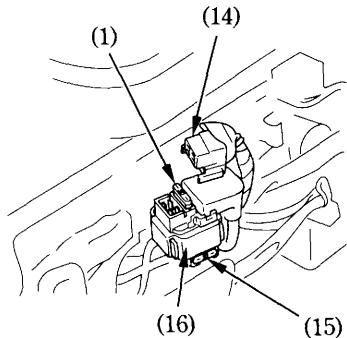


4. Remove the hook A (6) from the side of turn signal light case (7).
5. Remove the hooks B (8) from the slots B (9).
6. Remove the prongs (10) from the grommets (11).
7. Remove the hooks C (12) from the slots C (13).



- | | |
|----------------------------|---------------|
| (6) Hook A | (10) Prongs |
| (7) Turn signal light case | (11) Grommets |
| (8) Hooks B | (12) Hooks C |
| (9) Slots B | (13) Slots C |

8. Disconnect the wire connector (14) of the starter magnetic switch.
9. Pull out the old fuse and install a new fuse. The spare main fuse A (15) is located under the starter magnetic switch (16).
10. Reconnect the connector.
11. Install the remaining parts in the reverse order of removal.



- | |
|------------------------------|
| (1) Main fuse A |
| (14) Wire connector |
| (15) Spare main fuse A |
| (16) Starter magnetic switch |