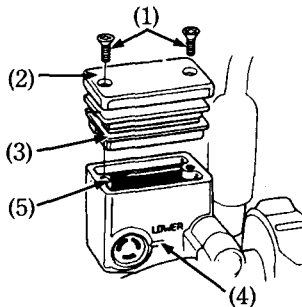


**CAUTION:**

- \* **Handle brake fluid with care because it can damage plastic and painted surfaces.**
- \* **When adding brake fluid, be sure the reservoir is horizontal before the cap is removed or brake fluid may spill out.**
- \* **Use only DOT 4 brake fluid from a sealed container.**
- \* **Never allow contaminants such as dirt or water to enter the brake fluid reservoir.**

Brake fluid must be added to the reservoir whenever the fluid level begins to reach the LOWER level mark (4). Remove the screws (1), reservoir cover (2), and diaphragm (3). Fill the reservoir with DOT 4 BRAKE FLUID from a sealed container up to the upper level mark (5). Reinstall the diaphragm and cover. Tighten the screws securely.



(FRONT)

- |                     |                      |
|---------------------|----------------------|
| (1) Screws          | (4) LOWER level mark |
| (2) Reservoir cover | (5) Upper level mark |
| (3) Diaphragm       |                      |