

## LEFT HANDLEBAR CONTROLS

### Headlight Dimmer Switch (1)

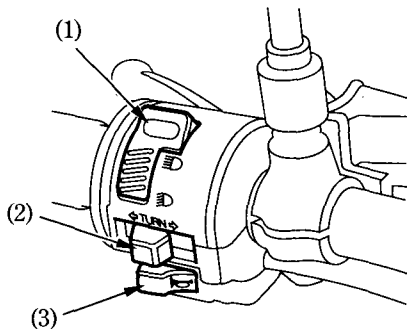
Push the dimmer switch to  $\equiv$ D (HI) to select high beam or to  $\equiv$ D (LO) to select low beam.

### Turn Signal Switch (2)

Move to  $\leftarrow$  (L) to signal a left turn,  $\rightarrow$  (R) to signal a right turn. Press to turn signal off.

### Horn Button (3)

Press the button to sound the horn.



- (1) Headlight dimmer switch
- (2) Turn signal switch
- (3) Horn button