

# Engine Oil & Filter

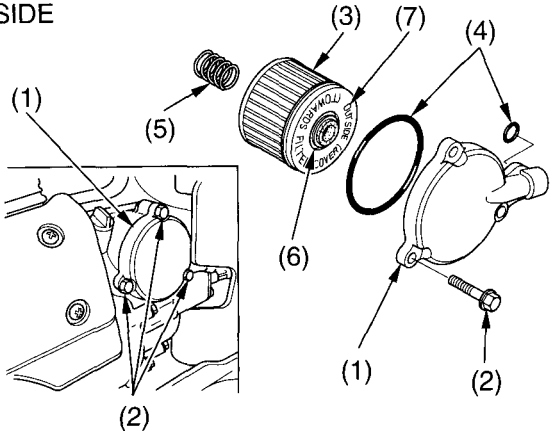
## *Install a New Engine Oil Filter:*

1. Remove the oil filter cover ( 1 ) by removing the bolts ( 2 ). Let the remaining oil drain out. Discard the oil filter ( 3 ) in an approved manner (page 176 ).
2. Check that the oil filter cover O-rings ( 4 ) are in good condition and then install a new oil filter. Use only the Honda genuine oil filter or a filter of equivalent quality specified for your model. Using the wrong Honda filter or a non-Honda filter which is not of equivalent quality may cause engine damage.
3. Reposition the spring ( 5 ) to the engine crankcase and install a new oil filter with the rubber seal ( 6 ) facing out, away from the engine. You will see the “OUTSIDE (TOWARDS FILTER COVER)” mark ( 7 ) on the filter body, near the seal.

### NOTICE

*Improper installation of the oil filter can cause serious engine damage.*

### RIGHT SIDE



- (1) oil filter cover
- (2) bolts
- (3) oil filter
- (4) O-rings

- (5) spring
- (6) rubber seal
- (7) OUTSIDE mark