

Fig. 2-22 (1) Trailer hitch (2) An example ball

### Storage Compartment

The storage compartment (Fig. 2-23) is below the rear cargo rack. To open the compartment, unhook the rubber strap (3). The owner's manual (4), tool kit (5), and air pressure gauge (6) should be stored in the storage compartment.

Be careful not to flood this area when washing your FOURTRAX.

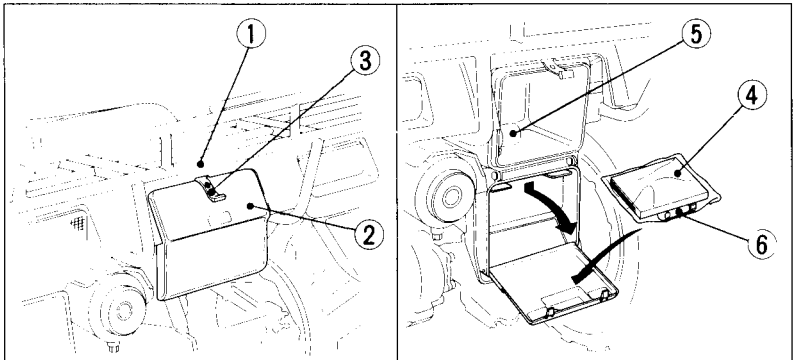


Fig. 2-23

- |                         |                        |
|-------------------------|------------------------|
| (1) Rear cargo rack     | (4) Owner's manual     |
| (2) Storage compartment | (5) Tool kit           |
| (3) Rubber strap        | (6) Air pressure gauge |