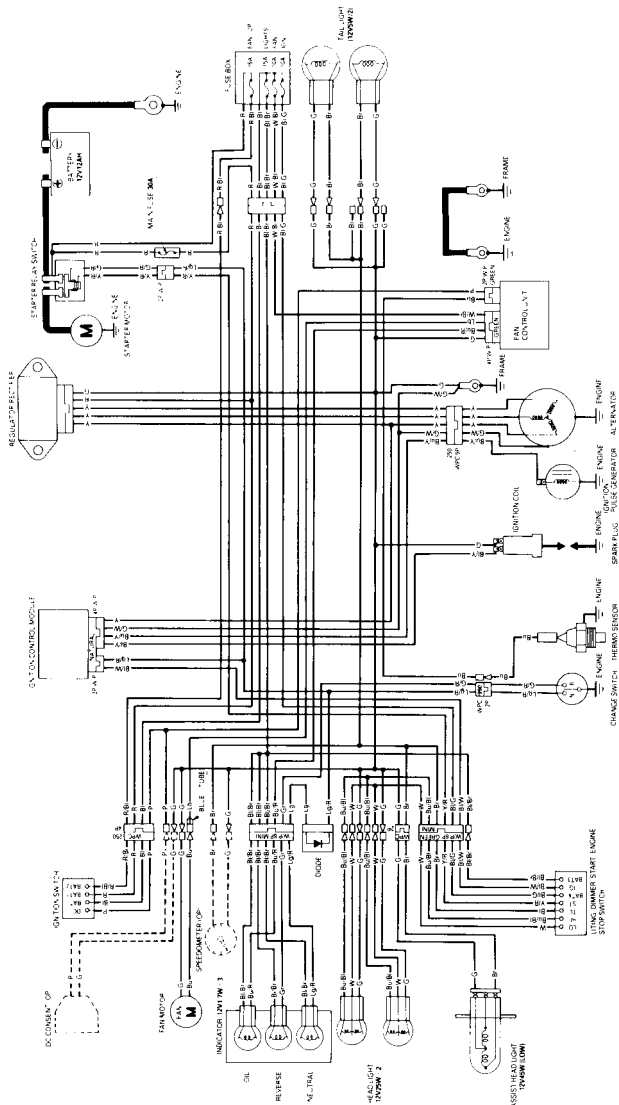
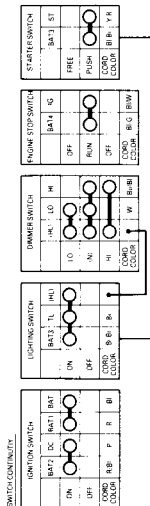


WIRING DIAGRAM



B1	BLACK	B	BROWN
Y	YELLOW	O	ORANGE
G	GREEN	LS	LIGHT BLUE
R	RED	Lg	LIGHT GREEN
W	WHITE	P	PINK
		G	GRAY



SWITCH CONTINUITY

0030Z-HM7-6700