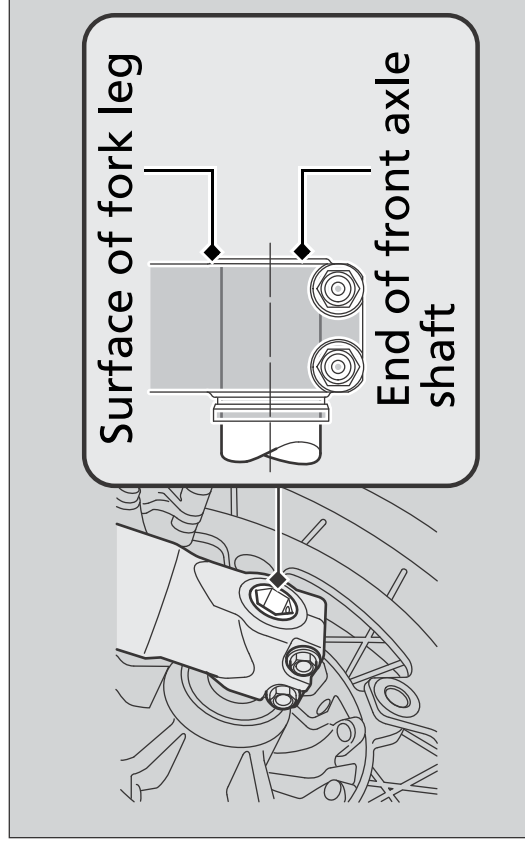


Installation

1. Attach the side collars to the wheel.
2. On the left side, place the wheel between the fork legs and insert the lightly greased front axle shaft to the end, through the left fork leg and wheel hub.
3. Align the end of the front axle shaft with the surface of the fork leg.



4. Tighten the left axle pinch bolts to hold the axle.
5. Tighten the axle bolt.

Torque: 59 N·m (6.0 kgf·m, 44 lbf·ft).

6. Loosen the left axle pinch bolts.
7. Tighten the right axle pinch bolts.

Torque: 22 N·m (2.2 kgf·m, 16 lbf·ft).

8. Install the right brake caliper and tighten the mounting bolts.

Torque: 31 N·m (3.2 kgf·m, 23 lbf·ft).