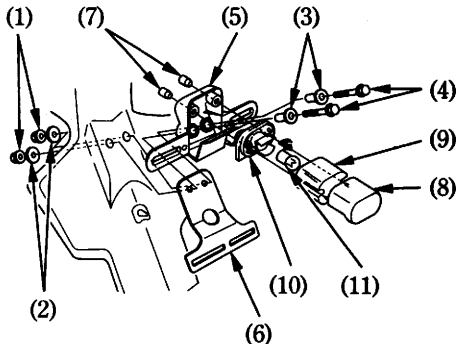


## License Light Bulb

1. Remove the A nuts (1), washers (2), collars (3) and bolts (4).
2. Remove the license plate bracket (5).
3. Remove the license plate bracket stay (6). (Except U type)
4. Remove the B nuts (7), license light cover (8), license light lens (9) and socket (10) from the license plate bracket.
5. Slightly press the bulb (11) and turn it counterclockwise.
6. Install a new bulb in the reverse order of removal.
7. Install the removed parts in the reverse order of removal.



- (1) A nuts
- (2) Washers
- (3) Collars
- (4) Bolts
- (5) License plate bracket
- (6) License plate bracket stay
- (7) B nuts
- (8) License light cover
- (9) License light lens
- (10) Socket
- (11) Bulb