

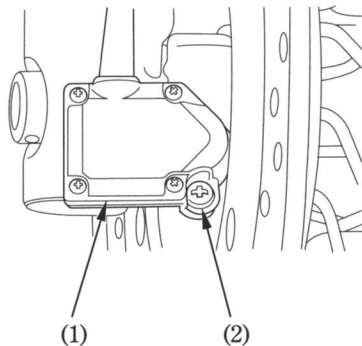
WHEEL REMOVAL

Refer to the Safety Precautions on page 72 .

This motorcycle is equipped with a side stand only. Therefore, if front or rear wheel removal is required, it will be necessary to raise the center of the motorcycle with a jack or other firm support. If none is available, see your Honda dealer for this service.

Front Wheel Removal

1. Raise the front wheel off the ground by placing a support block under the engine.
2. Remove the speed sensor (1) by removing the speed sensor set screw (2).



- (1) Speed sensor
(2) Speed sensor set screw