

LEFT HANDLEBAR CONTROLS

< U type only >

Headlight Dimmer Switch (1)

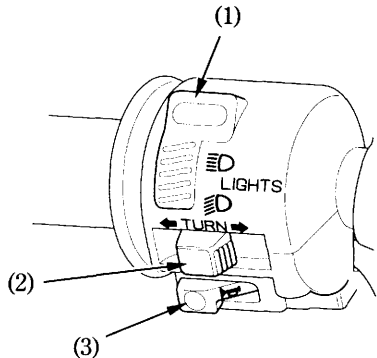
Push the dimmer switch to ☰D (HI) to select high beam or to ☷D (LO) to select low beam.

Turn Signal Switch (2)

Move to ⇐ (L) to signal a left turn, ⇨ (R) to signal a right turn. Press to turn signal off.

Horn Button (3)

Press the button to sound the horn.



- (1) Headlight dimmer switch
- (2) Turn signal switch
- (3) Horn button