

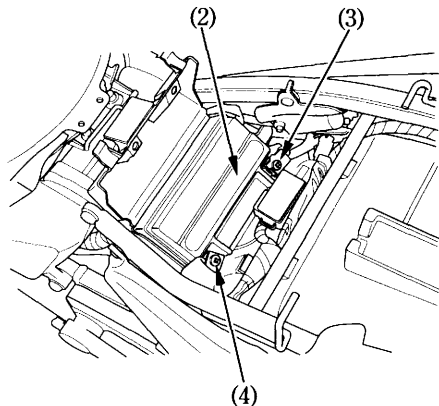
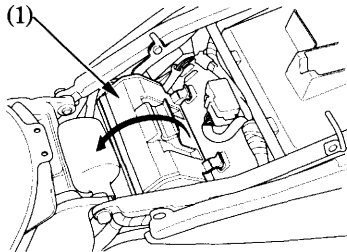
**▲WARNING**

**\* KEEP OUT OF REACH OF CHILDREN.**

**Battery Removal**

The battery (2) is in the battery box below the seat.

1. Remove the seat (page 40).
2. Open the battery box cover (1).
3. Disconnect the negative (-) terminal lead (3) from the battery first, then disconnect the positive (+) terminal lead (4).
4. Pull out the battery from the battery box.



- (1) Battery box cover
- (2) Battery
- (3) Negative (-) terminal lead
- (4) Positive (+) terminal lead