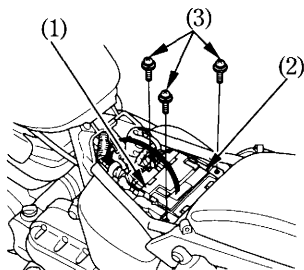


## Battery Removal

The battery (6) is in the battery box below the seat.

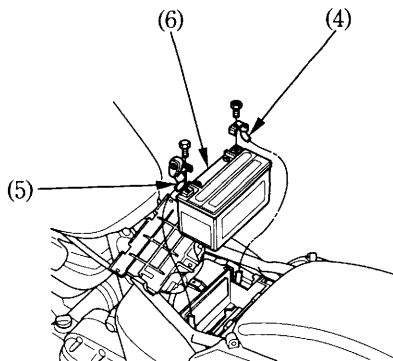
1. Remove the seat (page 40 ).
2. Remove the ECU (1).
3. Remove the battery cover (2) by removing three screws (3).
4. Disconnect the negative (-) terminal lead (4) from the battery first, then disconnect the positive (+) terminal lead (5).
5. Pull out the battery (6) from the battery box.



(1) ECU

(3) Screws

(2) Battery cover



(4) Negative (-) terminal lead

(5) Positive (+) terminal lead

(6) Battery