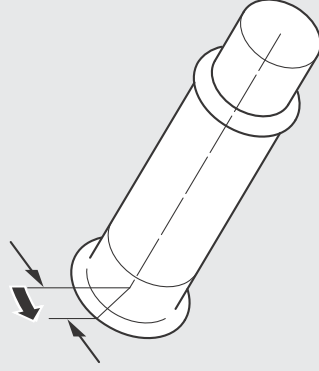


If you cannot start the engine:

- ① Place the scooter on its centre stand and squeeze the rear brake lever.
- ② With the throttle slightly open (about 3 mm), press the start button.

About 3 mm



If the engine does not start:

- ① Open the throttle fully and press the start button for 5 seconds.
- ② Repeat the normal starting procedure.
- ③ If the engine starts, open the throttle slightly if idling is unstable.
- ④ If the engine does not start, wait 10 seconds before trying steps ① & ② again.

If Engine Will Not Start P.81