

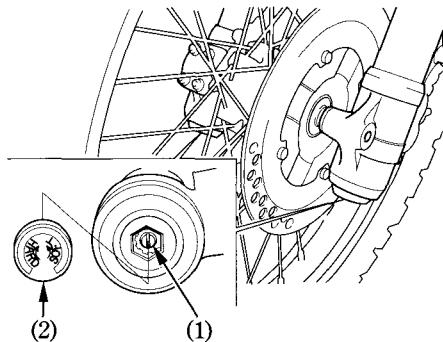
Compression damping:

This adjustment affects how quickly the fork compresses. The fork compression damping adjuster (1) has 19 positions (clicks) or more. Turning the adjuster screw one full turn changes the adjuster 4 positions. To adjust the adjuster to the standard position, proceed as follows:

1. Remove the cap (2) and turn the damping adjuster clockwise until it will no longer turn (lightly seats). This is the full hard setting.
2. Turn the damping adjuster counter-clockwise 7 clicks back from full hard. This is the standard position.
3. Make sure that both fork legs are adjusted to the same position.

CAUTION:

*** Always start with full hard when adjusting damping.**



(1) Damping adjuster

(2) Cap