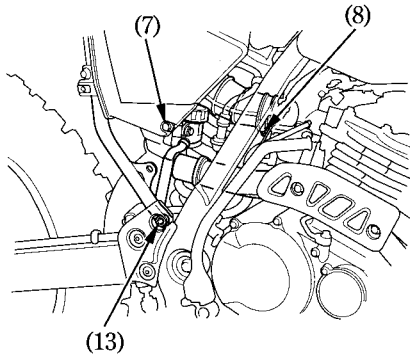


- Remove the rear brake fluid reservoir stay mount bolt (7). Make sure you keep the reservoir in a level position throughout the procedure to prevent air entering the brake system.
- Loosen the screw (8) on the air cleaner connecting tube clamp and remove the air cleaner connecting tube from the carburetor.

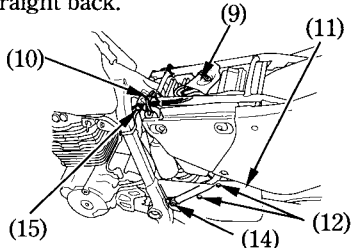


- (7) Bolt                      (13) Subframe lower side bolt  
 (8) Screw

**CAUTION:**

**\* Be careful not to allow dust into the carburetor, severe engine damage could result.**

- Disconnect the electrical connectors (9).
- Loosen the band and clip (10).
- Remove the chain cover (11) by removing the two screws (12).
- Remove the three subframe mounting bolts (13) (14) (15).
- Remove the subframe by pulling it straight back.



- (9) Electrical connectors (12) Screws  
 (10) Band and clip (14) Subframe lower side bolt  
 (11) Chain cover (15) Subframe upper bolt