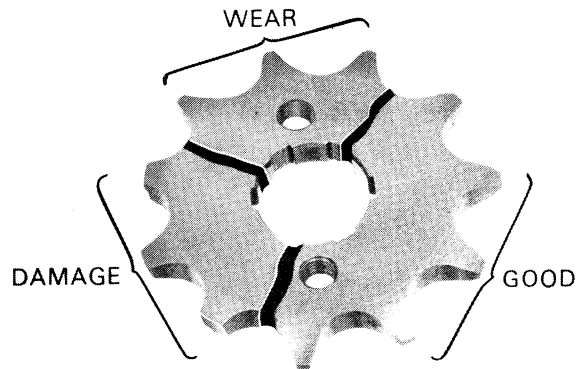




Inspect the sprocket teeth for excessive wear or damage. Replace if necessary.

NOTE

Never install a new drive chain on worn sprockets or a worn chain on new sprockets. Both chain and sprockets must be in good condition, or the new replacement chain or sprockets will wear rapidly.



INSTALLATION

Install the drive chain.
Install the master link with O-rings and chain retaining clip.

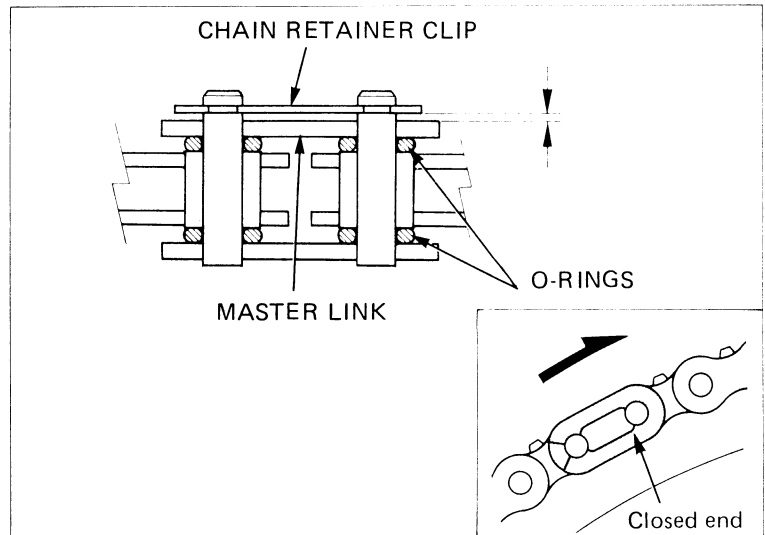
NOTE

The closed end of the clip should face the direction of drive chain travel.

Install the drive sprocket cover.
Adjust the drive chain.

CAUTION:

*Do not assemble the drive chain without the four O-rings.
Be sure that there is no space between the master link and chain retaining clip.*



CHAIN SLIDER INSPECTION

Check the drive chain slider.
Replace the slider if the depth of the groove exceeds 10 mm (0.4 in) (Page 13-10).

