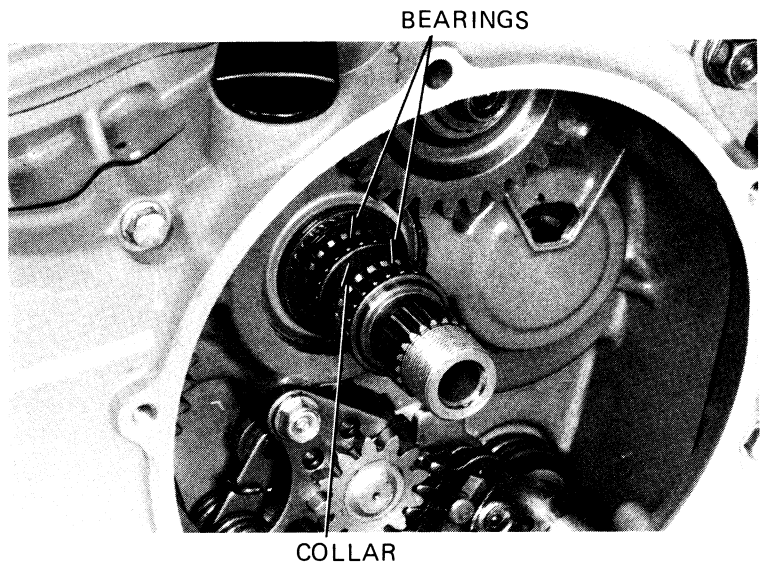




Remove the needle bearings and bearing collar.

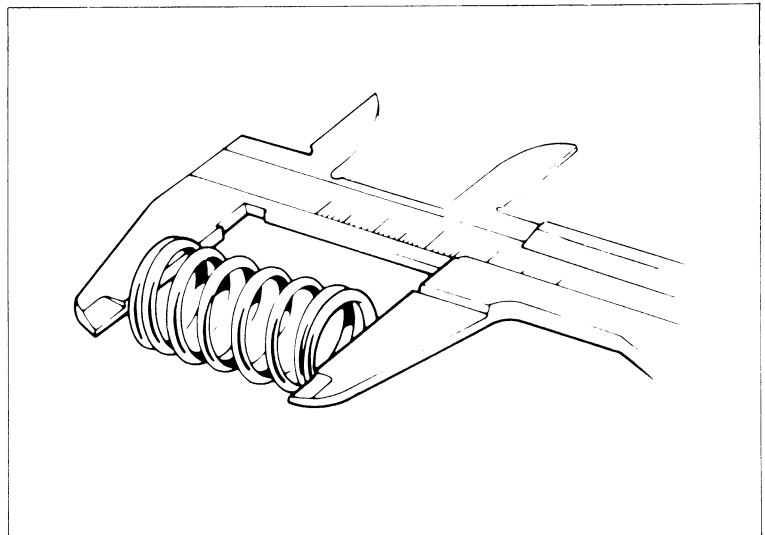


### CLUTCH SPRING INSPECTION

Measure each clutch spring free length.

**SERVICE LIMIT: 30.0 mm (1.18 in)**

Replace the clutch springs as a set if any one of them is beyond the service limit.



### CLUTCH DISC INSPECTION

Replace the clutch discs if they show signs of scoring or discoloration.

Measure each clutch disc thickness.

**SERVICE LIMIT: 2.45 mm (0.096 in)**

