

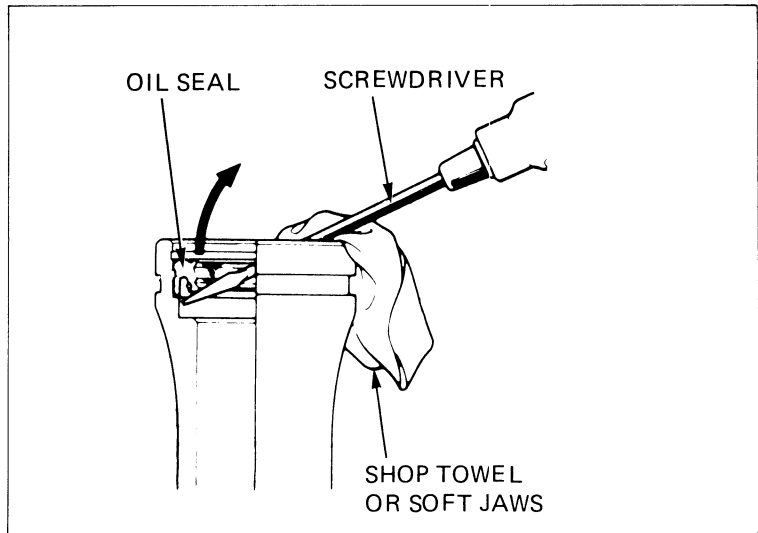


## FRONT WHEEL/FRONT FORK/STEERING

Remove the oil seal using a screwdriver with a dull or rounded edge.

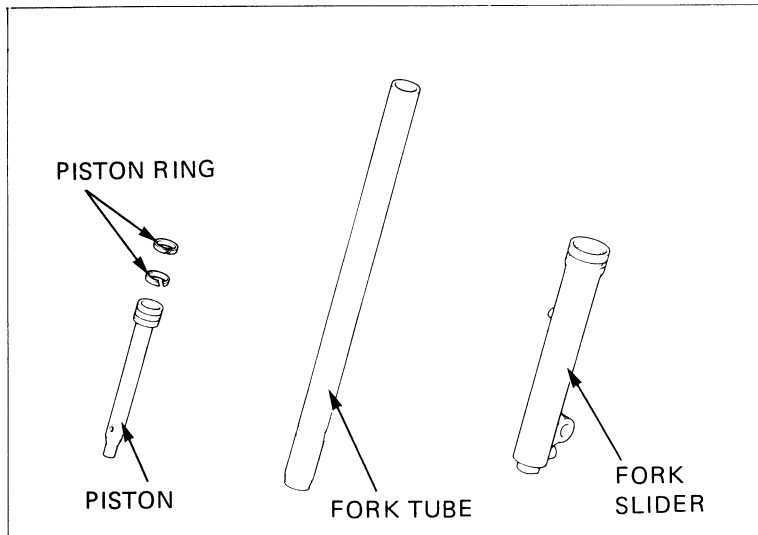
### NOTE

Avoid damaging the inner and outer surfaces of the fork slider when removing the oil seal.



## FORK TUBE, PISTON AND FORK SLIDER INSPECTION

Check the fork tube, piston and oil lock piece for score marks, scratches or abnormal wear.  
Replace components which are worn or damaged.



Place the fork tube in V blocks and read the runout.  
Take 1/2 of the total indicator reading to determine the actual wear.

**SERVICE LIMIT: 0.20 mm (0.008 in)**

