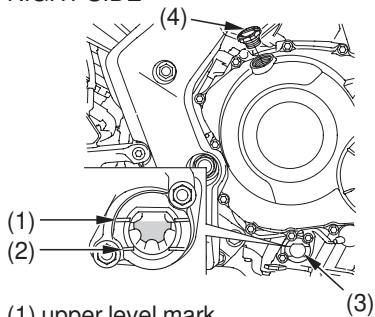


## Checking & Adding Oil

Refer to *Safety Precautions* on page 78 .

RIGHT SIDE



- (1) upper level mark
- (2) lower level mark
- (3) oil inspection window
- (4) oil fill cap

1. Park your motorcycle on its side stand on a firm, level surface.
2. Start the engine and let it idle for 3–5 minutes. Make sure the low oil pressure indicator goes off. If the indicator remains on, stop the engine immediately.
3. Stop the engine and wait 2–3 minutes.
4. Hold the motorcycle in an upright position.

(cont'd)