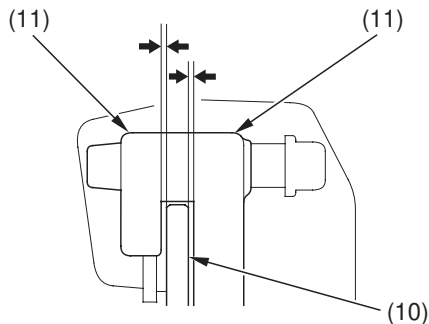


If You Have a Flat Tire

7. Operate the front brake and pump the fork several times. Check for free wheel rotation after the brake is released. Recheck the wheel if the brake drags or the wheel does not rotate freely.
8. If the clearances between each surface of the brake disc and the brake bracket (11) (not the brake pads) are symmetrical, follow next step. If the clearances are not symmetrical, loosen the left axle pinch bolt and pull the left fork outward or push inward to adjust the clearance. Then follow the next step.

- Visually check that the clearances between each surface of the brake disc and the brake bracket (not the brake pads) are symmetrical.



(10) brake disc (11) brake bracket

(cont'd)