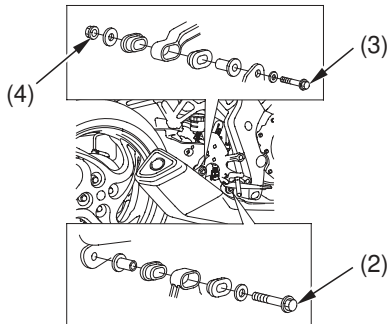


If You Have a Flat Tire

3. Remove the muffler mount bolt A (2), B (3) and nut (4).
4. Remove the muffler.

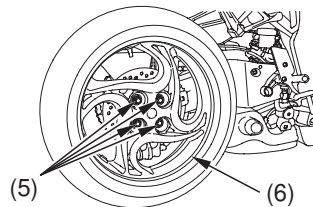
RIGHT REAR



- (2) muffler mount bolt A
- (3) muffler mount bolt B
- (4) muffler mount nut

5. Support the motorcycle securely, raise the rear wheel off the ground.
6. Remove the rear wheel nuts (5).
7. Remove the rear wheel (6) slowly.

RIGHT REAR



- (5) rear wheel nuts
- (6) rear wheel