

Exhaust Pipe/Muffler

Exhaust Pipe/Muffler Inspection

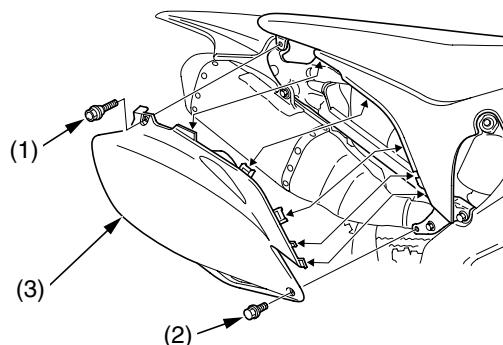
Check the mounting bolts and exhaust pipe joint nuts for tightness.

Check the exhaust pipe and muffler for cracks or deformation.

A damaged exhaust pipe and muffler may reduce engine performance.

Muffler Removal

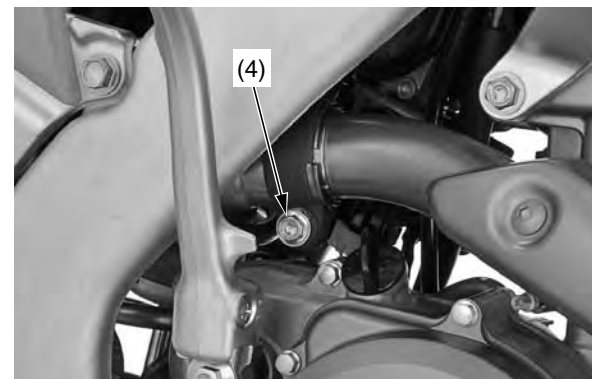
1. Remove the seat mounting bolt (1), side cover bolt (2) and right side cover (3).



(1) seat mounting bolt
(2) side cover bolt

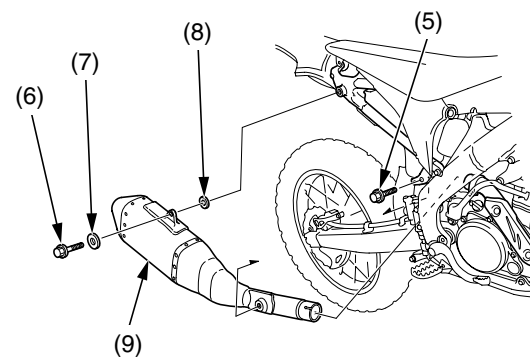
(3) right side cover

2. Loosen the muffler clamp bolt (4).



(4) muffler clamp bolt

3. Remove the muffler mounting A bolt (5), muffler mounting B bolt (6), washer A (7), washer B (8) and muffler (9).



(5) muffler mounting A bolt

(6) muffler mounting B bolt

(7) washer A

(8) washer B

(9) muffler