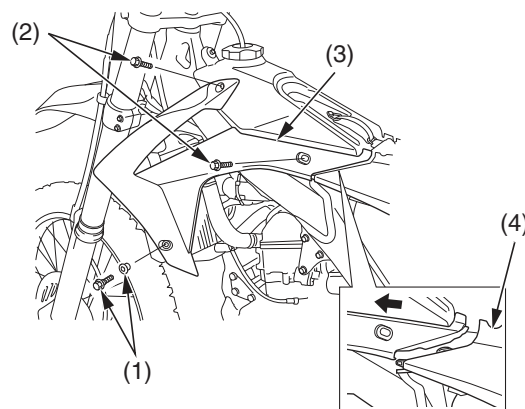


Refer to *Important Safety Precautions* on [page 23](#).

Removal

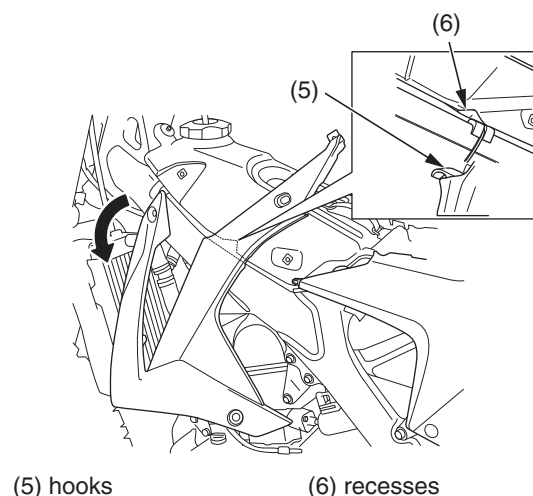
1. Remove the seat ([page 34](#)).
2. Remove the shroud A bolts and collars (1).
3. Remove the shroud B bolts (2).
4. Slide the shrouds (3) toward the front to separate them from the air cleaner housing covers (4).



- (1) shroud A bolts and collars
 (2) shroud B bolts
 (3) shrouds
 (4) air cleaner housing covers

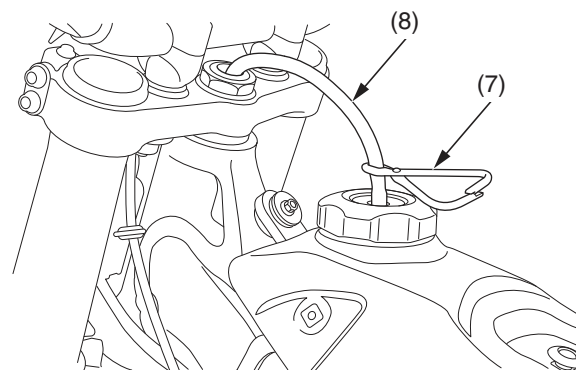
5. Slide the shrouds toward the rear until their hooks (5) are aligned with the recesses (6) of the fuel tank.
6. Turn the shrouds as shown in the figure, and then remove them.

The right and left shrouds can be removed in the same manner.



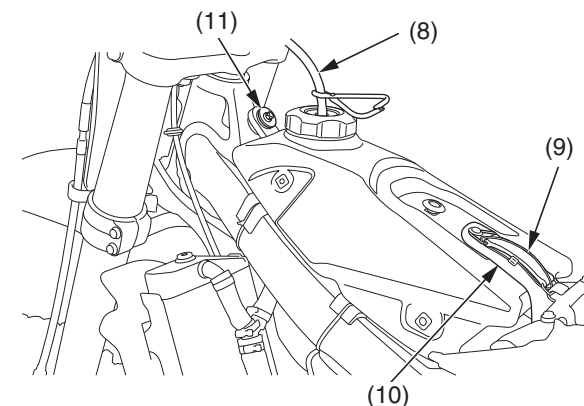
- (5) hooks (6) recesses

7. Install a hose clamp (7) to the breather tube (8) and shut the hose clamp securely.



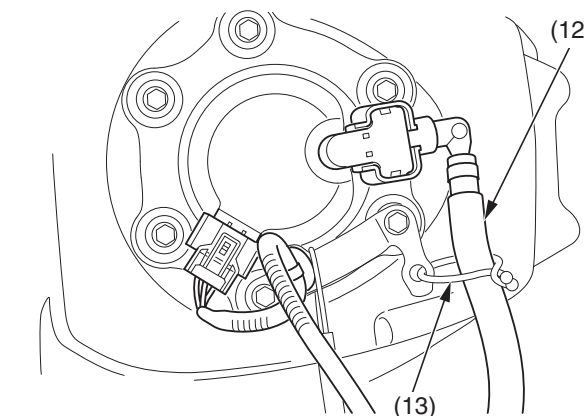
- (7) hose clamp (8) breather tube

8. Pull the breather tube (8) out of steering stem nut.
9. Unhook the fuel tank band (9) and air cleaner rubber (10).
10. Remove the fuel tank bolt and collar (11).



- (8) breather tube
 (9) fuel tank band
 (10) air cleaner rubber
 (11) fuel tank bolt and collar

11. Unhook the fuel feed hose (12) from the clamp (13).



- (12) fuel feed hose (13) clamp

(cont'd)