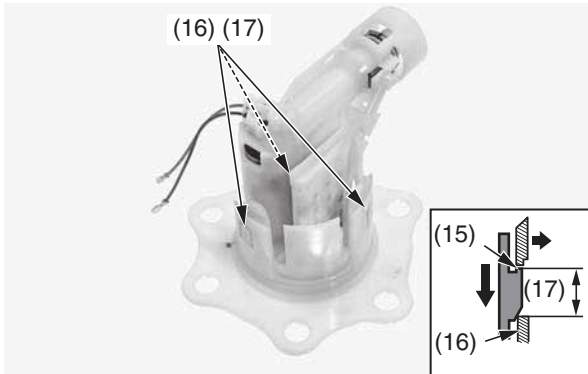


8. Check the hooks (15) of the fuel pump unit holder and tabs (16) on the fuel pump base for damage or discoloration.
If the hooks and tabs are damaged or discolored, replace the fuel pump unit as an assembly.
9. Release the hooks of the fuel pump unit holder from the grooves (17) in the fuel pump base tabs while pushing the holder against the base and slightly spreading the base tabs.

Be careful not to damage the hooks and tabs.

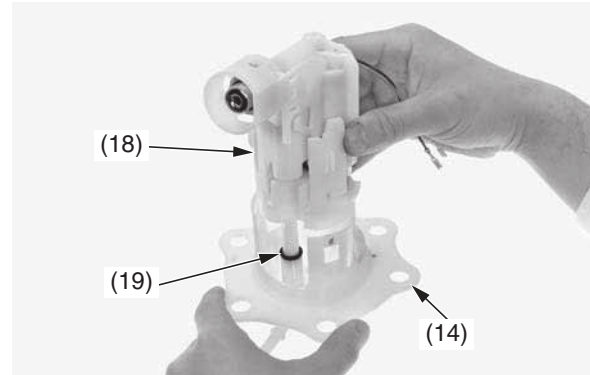


(15) hooks
(16) tabs

(17) grooves

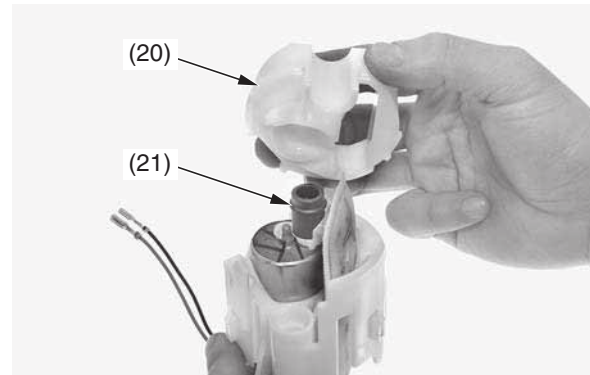
10. Remove the fuel pump unit holder assembly (18) from the fuel pump base (14) and remove the O-ring (19).

Wipe the spilled out fuel immediately.



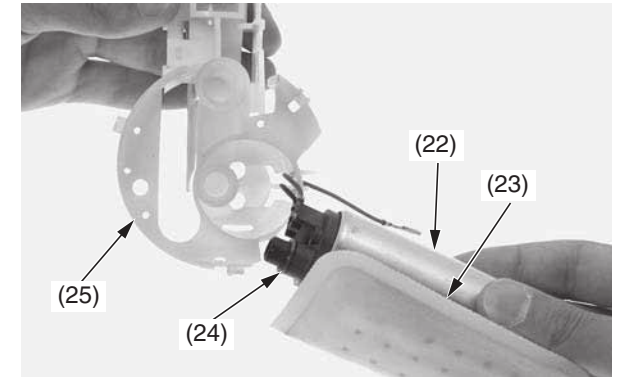
(14) fuel pump base
(18) fuel pump unit holder assembly
(19) O-ring

11. Remove the fuel pump stopper (20) and damper rubber (21).



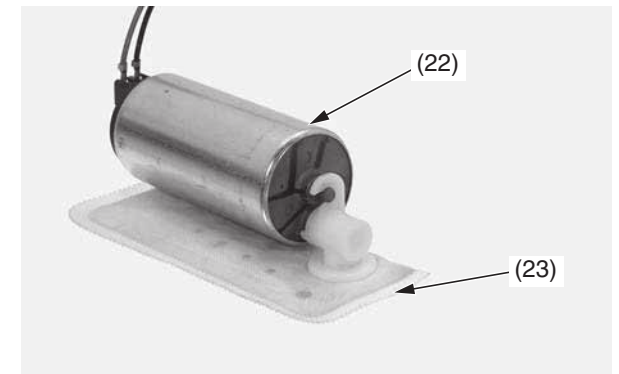
(20) fuel pump stopper
(21) damper rubber

12. Remove the fuel pump assembly (22) with fuel pump filter (23), O-ring (24) from the fuel pump unit holder (25).



(22) fuel pump assembly
(23) fuel pump filter
(24) O-ring
(25) fuel pump unit holder

13. Check the fuel pump filter (23) for clog, damage or deterioration and replace it if necessary.
14. Remove the fuel pump filter from the fuel pump assembly (22).



(22) fuel pump assembly (23) fuel pump filter

(cont'd)