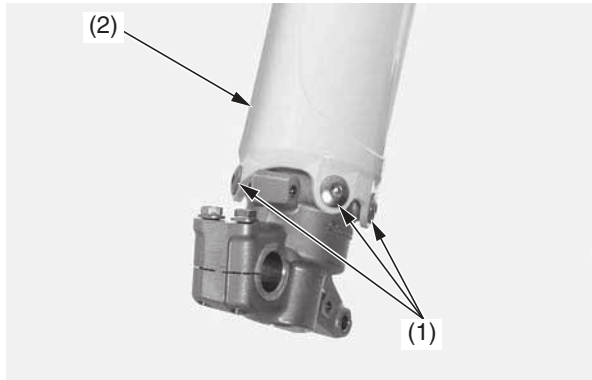


Left Fork Oil Change

Refer to *Fork Removal* on [page 125](#) for front suspension removal.

Outer Tube Fork Oil Replacement

1. Remove the fork protector socket bolts (1) and fork protector (2).



- (1) fork protector socket bolts
(2) fork protector

2. Clean the fork assembly, especially the sliding surface of the slider and dust seal.

3. Remove the valve caps and clean the area around the air valves (3).
4. Release the air pressure from the inner chamber by pressing the valve center.

When releasing air pressure from the inner chamber, the fork will be shortened.

5. Place a shop towel over the balance chamber air valve. Release the air pressure from the balance chamber by pressing the valve center.

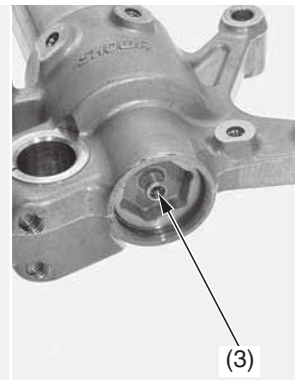
When releasing air pressure from the balance chamber, the fork will be extended. Spraying a small amount of fork oil from the balance chamber air valve is normal when releasing air pressure from the balance chamber. This will not affect the fork performance.

Inner chamber:



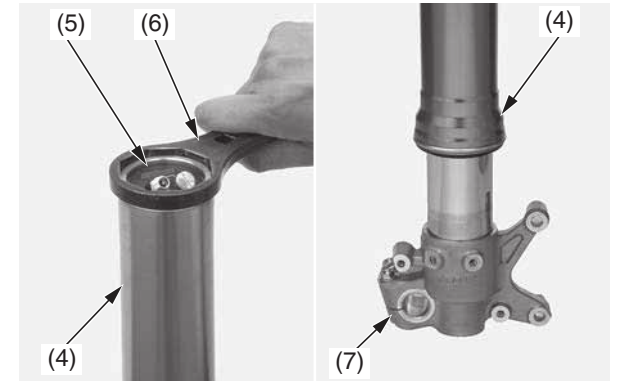
(3) air valves

Balance chamber:



6. Hold the outer tube (4), then remove the air cylinder unit (5) from the outer tube using a lock nut wrench (6). Gently slide the outer tube down onto the lower end of the slider (7).

- Lock nut wrench 07WMA-KZ30100

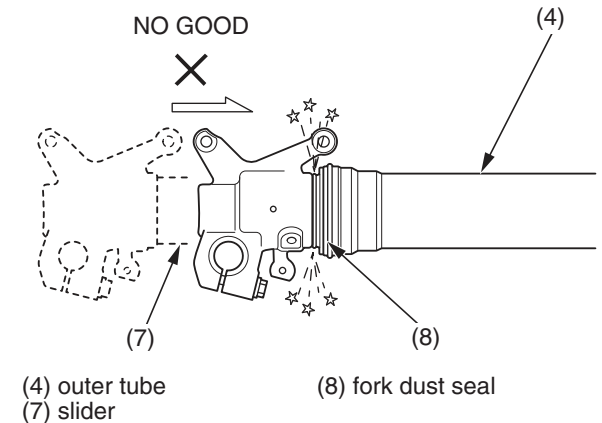


(4) outer tube
(5) air cylinder unit

(6) lock nut wrench
(7) slider

NOTICE

The outer tube (4) can drop on the slider (7) and damage the fork dust seal (8). To avoid damage, hold both the outer tube and slider when removing the fork damper.



(4) outer tube
(7) slider

(8) fork dust seal

(cont'd)