

11. Apply air pressure to the inner chamber and check that there is no air leakage. Install the valve cap.

Inner Chamber Air Pressure:

Standard air pressure	174 psi (1,200 kPa, 12.2 kgf/cm ²)
Maximum air pressure (stiff)	189 psi (1,300 kPa, 13.3 kgf/cm ²)
Minimum air pressure (soft)	131 psi (900 kPa, 9.2 kgf/cm ²)

When applying air pressure to the inner chamber, the fork will be extended.

12. Apply air pressure to the balance chamber and check that there is no air leakage.

Balance Chamber Air Pressure:

Standard air pressure	163 psi (1,125 kPa, 11.5 kgf/cm ²)
Maximum air pressure (soft)	189 psi (1,300 kPa, 13.3 kgf/cm ²)
Minimum air pressure (stiff)	145 psi (1,000 kPa, 10.2 kgf/cm ²)

When applying air pressure to the balance chamber, the fork will be shortened.

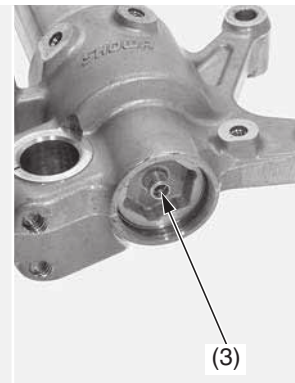
13. Install and tighten the balance chamber valve cap to the specified torque:
0.4 lbf·ft (0.5 N·m, 0.1 kgf·m)

Inner chamber:

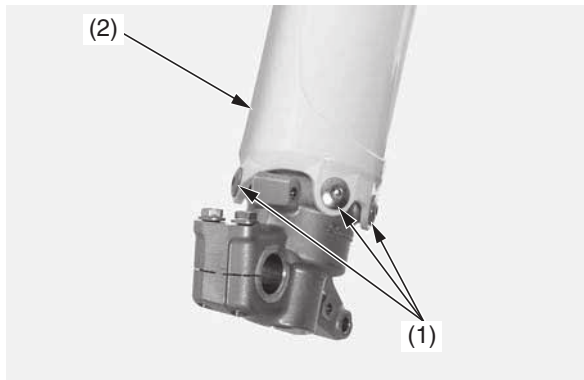


(3) air valves

Balance chamber:



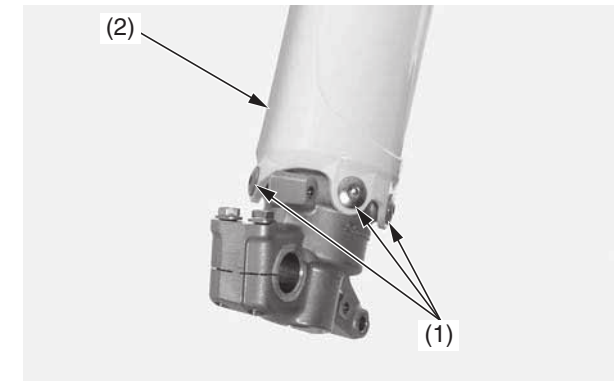
14. Clean the threads of the fork protector socket bolts (1) and axle holder thoroughly. Apply locking agent to the bolt threads. Install the fork protector (2) and fork protector socket bolts. Tighten the fork protector socket bolts to the specified torque:
5.2 lbf·ft (7 N·m, 0.7 kgf·m)



(1) fork protector socket bolts
(2) fork protector

Inner Chamber Fork Oil Replacement

1. Remove the fork protector socket bolts (1) and fork protector (2).



(1) fork protector socket bolts
(2) fork protector

2. Clean the fork assembly, especially the sliding surface of the slider and dust seal.

(cont'd)